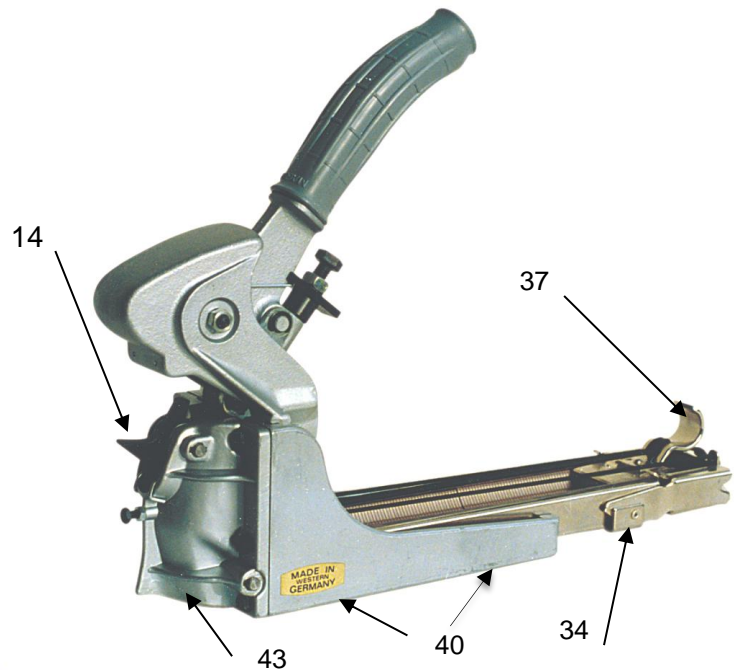


Operation Instructions



**TOP SP
TOP B**



**TOP SP EH
TOP B EH**

- 3) Operating lever
- 14) Trigger
- 34) Staple magazine
- 37) Staple pusher
- 40) Countersunk screws
- 43) Clinching support

Blind Staplers TOP B and TOP SP, Blind Staplers TOP B EH and TOP SP EH

IMPORTANT

Before the first commissioning read this manual thoroughly and completely and keep it in a safe place. Observe and follow the safety instructions and only use the machine if you are sure that you have completely understood all the instructions.
Failure to comply can lead to injuries!

If you have any questions, contact the manufacturer
MEZGER Heftsysteme
Saganer Straße 24
90475 Nürnberg
Germany

Modell

Type/description:

See label

Preface

For a safe operation of the stapling machine it is necessary to acquire the knowledge conveyed by these **ORIGINAL OPERATING INSTRUCTIONS**. The information is presented in brief and clear form. The chapters are sorted by numbers.

Copyright





The copyright of this operation manual remains with **MEZGER Heftsysteme GmbH**.

Contents overview

Contents overview	2
1 Safety information	3
2 Warranty and Liability	4
3 Intended use	4
4 Ambient conditions/Emission	4
5 Initial commissioning	4
6 Miscellaneous	5
7 Handling	5
8 Loading the magazine	6
9 Trouble shooting	6
10 Technical Data / Options	6
11 Fundamental notes on the work technique and handling	7
12 Shutting down	7
13 Maintenance and care	7
14 Technical documentation	8

1 Safety information

Safety instructions and important explanations are labelled with the following pictograms. The symbols used in the operating instructions have the following meaning:

Symbol	Signal word	Meaning
	Warning notice	Warning of possible injuries to persons or possible damage to property Warning of possible defects or destruction of the machine
	Prohibition	Indicates general prohibitions!
	Warning notice	Risk of fingers being crushed!
	Prohibition	Protect from moisture!

Read all these instructions before using the stapling device and keep the safety instructions in a safe place.

The operating personnel must be trained in the handling of the stapling device and they must have fully read and understood the operating instruction.

To avoid injury or damage, the operator must additionally observe the company's internal safety guidelines!

In addition, we would like to refer to further national rules and safety provisions which are not contained in this manual.



Keep persons who are not instructed, especially children, away from your work area!

If damage to the device is determined by the operator during production, the device may no longer be used and must be repaired by a professional!

The required personal protective equipment must be provided by the operator.

Only original parts may be used as spare parts!

2 Warranty and Liability

Only our **"Standard Business Conditions"** are valid!
These are well known and available latest after contract closure.

**Standard Business
Conditions**
**Causes of exclusion
of warranty and
liability**

Warantee and liability is excluded for personal and material damage in case of:

- Not intended use.
- Not taking care of content of the manual concerning transport, storage, assembly, Installation, Usage, Maintenance and handling.
- Operating the machine with defect safety features or without safety features.
- Improper control of the machine wear parts and improper repair.
- Manipulating the maschine in any kind.

3 Intended use

The stapling device is a manual stapler, primarily used for the stapling of single and double corrugated cardboard, but also of other thin and soft materials.

Don't staple into hard and brittle materials. This can damage the tool.



The stapling device may **only** be used as intended. It may only be used, operated and maintained according to the information contained in this operating manual.

Other usage can cause damage to tool and person. This is in the responsibility of the operator.

4 Ambient conditions/Emission

The device should be operated at room temperature, protected against environmental influences. Use within an explosive atmosphere is permitted only with prior consent and written permission of the manufacturer.

5 Initial commissioning

To make the stapling device ready for operation after delivery, the following tasks must be carried out:

- Check the equipment for completeness
- Load the tool with staples

Before the stapling device is put into operation, please read all instructions in this manual. This stapling machine may only be put into operation by trained personnel.

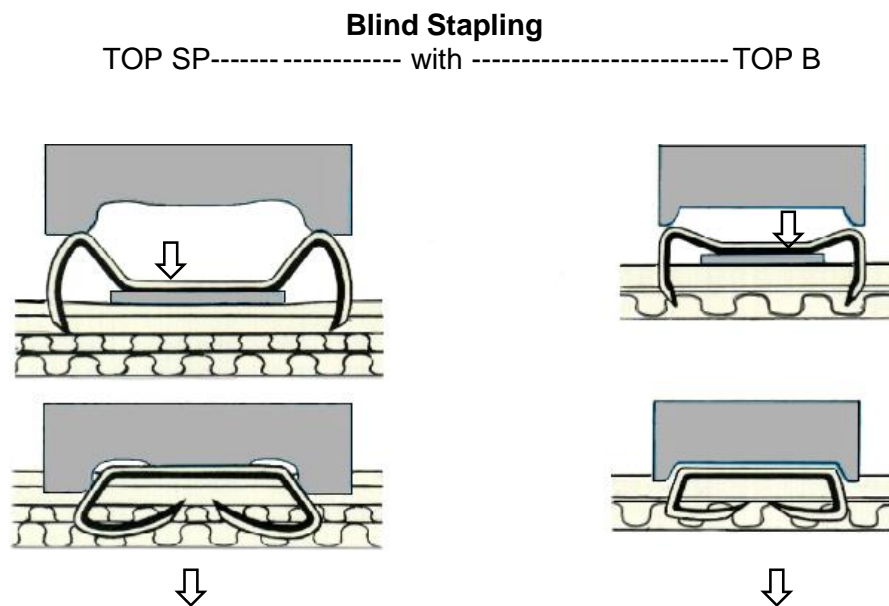


When the stapling machine is ready for operation, it is prohibited to touch the stapling ejection opening or the running stapler! DANGER OF INJURY!

6 Miscellaneous

Blind stapling means that the staple is automatically clinched within the corrugated section of the under board without pinching completely through, i. e. no damage to the contents. For this purpose staples with an adequate leg length have to be selected. If there is no danger of damage to the contents also a penetrating clinch can be applied which means that the staple is clinching outside the lowermost layer of cardboard.

Two basic models are available: **TOP SP** und **TOP B**



7 Handling

Blind Staplers TOP B or TOP SP are used for the closure of filled folding boxes of single and double corrugated cardboard. Also available in pneumatic version.

TOP SP (TOP Special – marked inside the stapler with TOP SP) is used mainly for stapling double corrugated board. TOP SP 18 staples are recommended for this purpose. TOP SP 18N are used for hard carton surfaces.

TOP SP 11 staples can also be used for single corrugated board without having to convert the stapler. Available for two-handed or one-handed operation (EH).

TOP B (marked inside the stapler with TOP B) is mainly used for stapling single corrugated board. The following staples with varying leg lengths are available for this purpose: TOP B 8, TOP B 10 and TOP B 12. TOP B 15 staples can also be used for stapling double corrugated board without having to convert the stapler.

Available for two-handed or one-handed operation (EH).

The Blind Stapler TOP is put on the filled folding box upon the centre of the flap joint. It should be pressed firmly against the folding box. In order to release the stapling operation just press down the lever in case of the one-handed model.

For the two-handed model just press the fix lever onto the box and move down the swivel lever with your other hand.

The Blind Stapler TOP EH can also be used for bottom stapling of empty boxes. For this purpose just insert the stapler into the empty box and staple from inside to outside. The empty folding box can also be put over a support (e. g. a case) and be stapled from outside to inside.

The bottom can also be stapled by turning the box upside down after filling and closing. We recommend, however, to use for the bottom stapling of empty folding boxes a special Carton Bottom Stapling machine such PERFECTA.

8 Loading the magazine

Move the staple pusher (37) back to the stop and tilt upwards until it engages. Insert three staple strips, press the staple pusher downwards and bring it into position slowly.



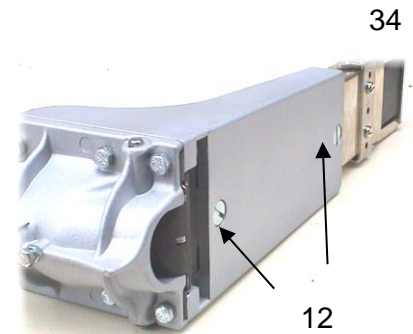
9 Trouble shooting



During any kind of defect, the machine is to be shut down until the flawless operation is ensured again. Please do not try to dismantle or repair the machine.

In case of malfunction or jammed staples never press operating lever (3) down by force as the clinching support might break. In case the jammed staple cannot be removed after pressing back the clinching support (43) by means of the trigger (14) it will be necessary to pull out the staple magazine (34) by removing the two screws (40).

After removing the jammed staple the stapler should be ready for use again.



10 Technical Data / Options

Available versions	Weight (kg)	for staples TOP (holding capacity: 120 staples)	
		f. single corrug. cardboard	f. single corrug. cardboard
<input type="checkbox"/> TOP B EH single handed	2,4	TOP B 6, TOP B 8, TOP B 10, TOP B 12	TOP B 6, TOP B 8, TOP B 10, TOP B 12
<input type="checkbox"/> TOP B two handed	2,3	TOP B 6, TOP B 8, TOP B 10, TOP B 12	TOP B 6, TOP B 8, TOP B 10, TOP B 12
<input type="checkbox"/> TOP SP EH single handed	2,4	TOP SP 11	TOP SP 11
<input type="checkbox"/> TOP SP two handed	2,3	TOP SP 11	TOP SP 11

11 Fundamental notes on the work technique and handling

Before the operator starts to use the tool he must be sure that the tool operates correctly.

Carefully observe all safety instructions!



Check to make sure that the stapling machine is not damaged and that it can be operated in a safe way.

The safe operation state of the stapling machine must be checked each time before any work is started!

Keep your work area in order.

Disorder in the work area can cause accidents.

12 Shutting down

In case the tool will not be handled for some time, please remove all staples.

13 Maintenance and care

The stapling device does not require a great deal of care, but should be cleaned and maintained on a regular basis.

Soiling should be removed directly by the operator after the machining processes.

Soiling on the work pieces can be blown away.



Any kind of alteration to the device (e.g. drilling of holes) is only permitted with prior consent and written permission of the manufacturer.

Before the start of all major maintenance and cleaning, all safety precautions must be taken.

The following work processes/inspections should be performed by knowledgeable personnel on a regular basis:

- Clean the stapling head on a regular basis
- Regular oiling of the movable parts (no graphite oil!) - on a weekly basis
- Cleaning of cardboard dust

Only ORIGINAL spare parts may be used. (see "spare parts list")

Failure to comply will void any guarantee claim and exclude any liability!

Only original spare parts are subjected to our quality control. To ensure a safe and reliable operation, only spare parts from the manufacturer may be used.

All technical equipment, especially the safety equipment, must be inspected by professional staff after a modification or repair.



**OPERATION AND MAINTENANCE MANUAL
for Blind Staplers TOP B and TOP SP,
Blind Staplers TOP B EH and TOP SP EH**

Page: 8
Mod.: 04_2013
ET 571

14 Technical documentation

Repairs performed by:
MEZGER Heftsysteme GmbH
or
authorized professional companies

Damages which are caused in particular by natural wear and tear, overloading, misuse or damage caused by the user or other use contrary to the operating instructions will be excluded from the warranty.

Keep the operating instructions, safety instructions, parts list and proof of purchase in a safe place.

Order form for spare and wear parts

MEZGER Heftsysteme GmbH

Staples, staplers and stapling machines

Saganer Strasse 24, 90475 Nuremberg

Tel.: 0049 (0)911 / 984 94 0

Fax: 0049 (0)911 / 984 94 30

e-Mail: info@mezger.eu

Spare Parts Ordering

Customer - order - No:

Name of the system / tool:

Spare parts lists - No.:

Current as of:

Pos. - No.	Description / Dimension Type / DIN	Order ID - No.:	Order quantity	Delivery date

Shipping address: / Attn. _____

14.1 Spare parts

s. separate list